

U 4.20, U 4.40

OIL FLOODED VACUUM PUMPS



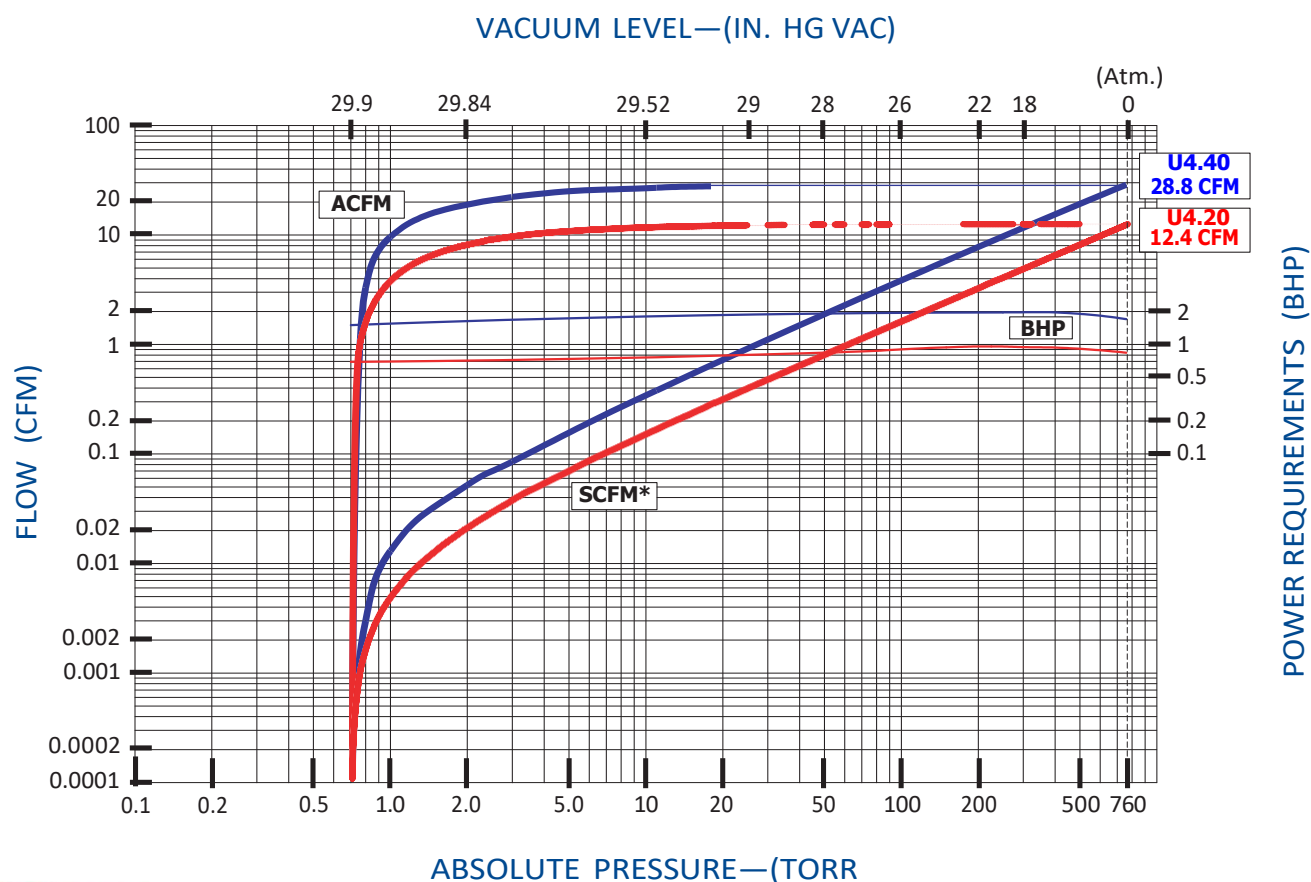
U4.20 shown with optional KF-16 inlet flange

The Becker U 4.20 and U 4.40 are oil-flooded rotary vane vacuum pumps. They are designed to operate on a continuous basis, and are intended for operation from about 275 torr (19"HgV) to their ultimate pressure of 0.7 torr (29.9"HgV).

The U 4.20 and U 4.40 pumps are extremely compact, direct drive units supplied with a TEFC electric motor. Each pump is supplied with an exhaust box that includes an oil supply and several stages of oil separation. The oil separators ensure a clean, oil-free exhaust.

The Becker U 4.20 and U 4.40 pumps have a reputation for being exceptionally quiet; attractive, too.

Applications include packaging, vacuum chucking, robotics, material handling, degassing, and drying, among others.



САНКТ-ПЕТЕРБУРГ

188508, тер. Южная часть производственной зоны Горелово, ул. Понссе, д. 18
8(800)775-49-61
www.megatechnika.ru

МОСКВА

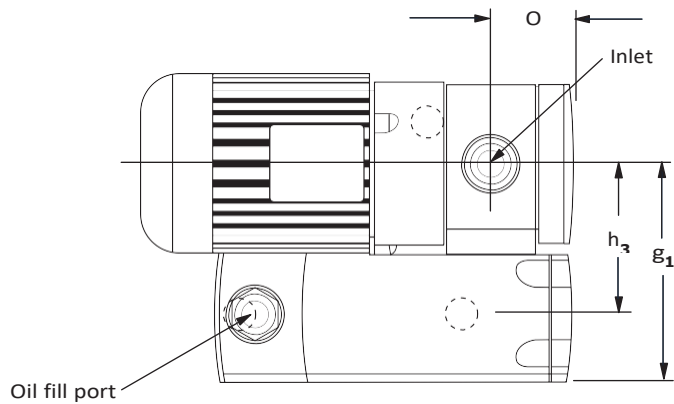
111395, ул. Юности, д.5, стр.4
8(800)100-78-28
www.megatechnika.com

УФА

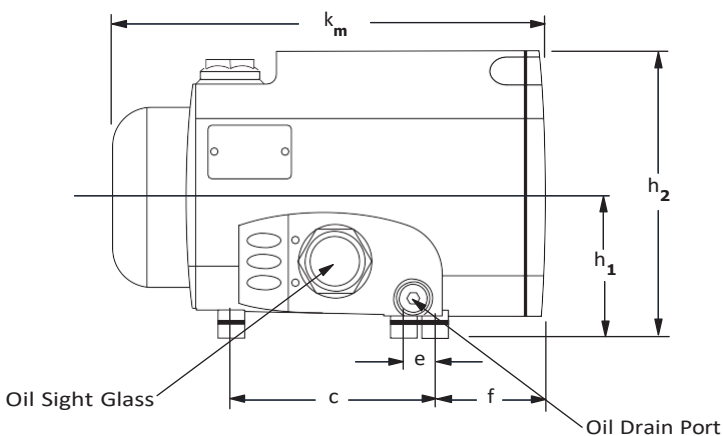
450001, ул. Комсомольская, д. 2
8(347)246-63-16
ufa@megatechnika.ru

СЕРВИС

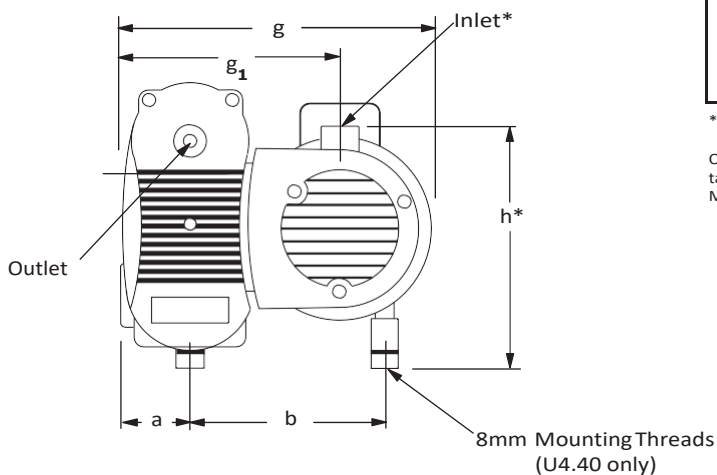
8-800-100-77-83
Звонок по России
бесплатный



Top View



Side View



End View (Opposite Motor End)

All data based on 60 Hz operation

| | U 4.20 / U 4.40 | |
|--------------------------|-----------------|-------|
| Flow (SCFM @ 0 in. Hg) | 12.4 | 28.8 |
| Horsepower | 0.9 | 2.4 |
| Speed (RPM) Ultimate | 3400 | 3400 |
| Vacuum (Torr) | 0.7 | 0.7 |
| Weight (lbs.)—w/ motor* | 44 | 84 |
| Noise Level (Max. dBA) | 67 | 71 |
| Inlet Size (BSP, inches) | 1/2* | 1 |
| Outlet Size (Dia., in.) | 3/4 | 3/4 |
| Oil Capacity (Qt.) | 0.5 | 1.0 |
| Dimensional Data | | |
| | Inches | |
| a | 2.0 | 2.24 |
| b | 5.83 | 7.13 |
| c | 6.77 | 7.87 |
| e | 1.06 | 2.16 |
| f | 3.35 | 3.48 |
| g | 9.65 | 10.59 |
| g ₁ | 6.5 | 7.76 |
| h* | 7.52 | 9.68 |
| h ₁ | 4.25 | 5.0 |
| h ₂ | 8.62 | 10.55 |
| h ₃ | 4.49 | 5.51 |
| k _m | 13.31 | 18.19 |
| o | 2.48 | 2.81 |

* Without optional KF-16 flange

Overall dimensions of single phase units may vary. Contact factory for information. Manufacturer reserves right to alter data without notice.

САНКТ-ПЕТЕРБУРГ

188508, тер. Южная часть производственной зоны Горелово, ул. Понссе, д. 18
8(800)775-49-61
www.megatechnika.ru

МОСКВА

111395, ул. Юности, д.5, стр.4
8(800)100-78-28
www.megatechnika.com

УФА

450001, ул. Комсомольская, д. 2
8(347)246-63-16
ufa@megatechnika.ru

СЕРВИС

8-800-100-77-83
Звонок по России
бесплатный