

20,000 Hour/3 Year Vane Life - Guaranteed!



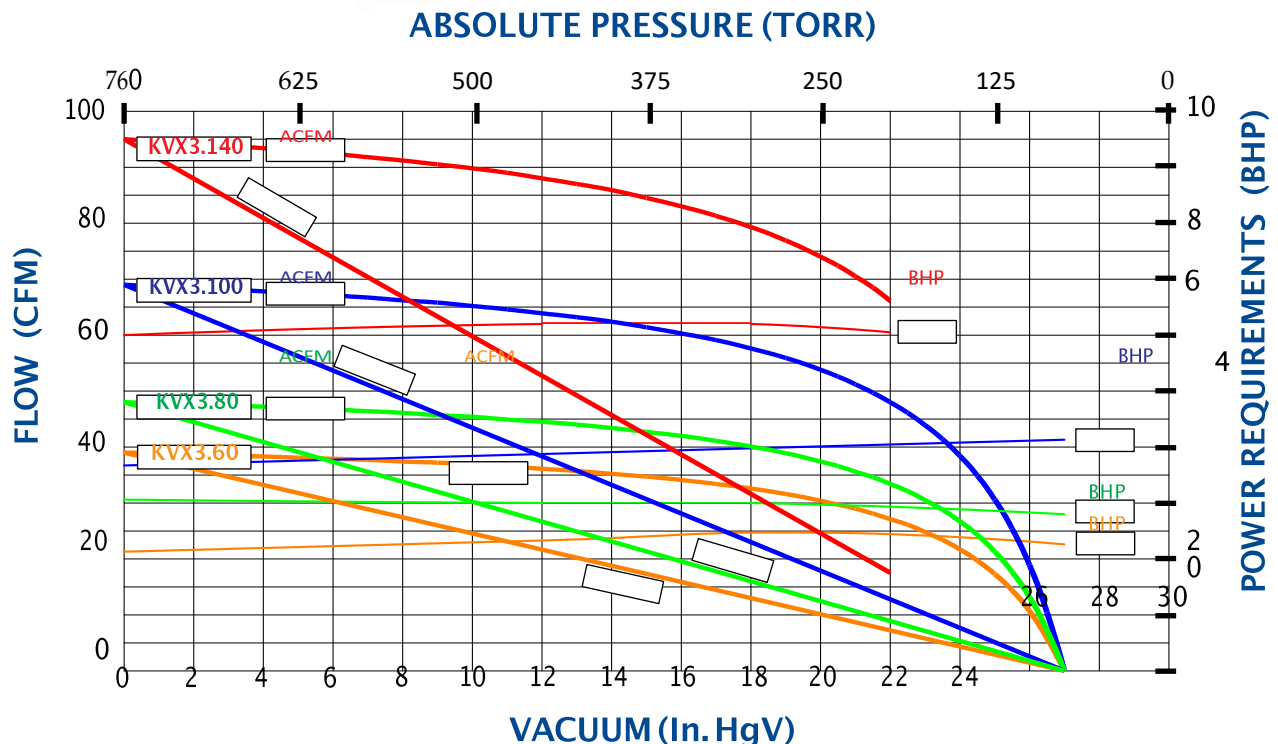
KVX 3.60 – 3.140 Series

ISO 9001 Certified
CE Compliant

100% OIL-LESS VACUUM PUMPS



- 100% Oil-less (dry operation)
- Continuous duty rated
- Operation from atmospheric pressure to maximum vacuum
- Direct drive—no belts, no gears
- Low energy consumption
- High efficiency TEFC C-face motor
- Integral vacuum regulating valve
- Integral 4-micron inlet filter
- Vibration isolators
- Exceptionally quiet
- Cool running
- 20,000 hour graphite composite vanes



САНКТ-ПЕТЕРБУРГ

188508, тер. Южная часть производственной зоны Горелово, ул. Понссе, д. 18
8(800)775-49-61
www.megatechnika.ru

МОСКВА

111395, ул. Юности, д.5, стр.4
8(800)100-78-28
www.megatechnika.com

УФА

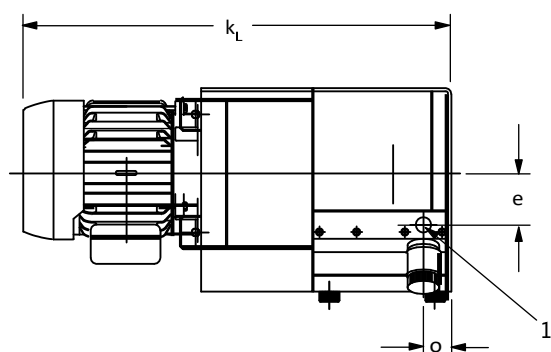
450001, ул. Комсомольская, д. 2
8(347)246-63-16
ufa@megatechnika.ru

СЕРВИС

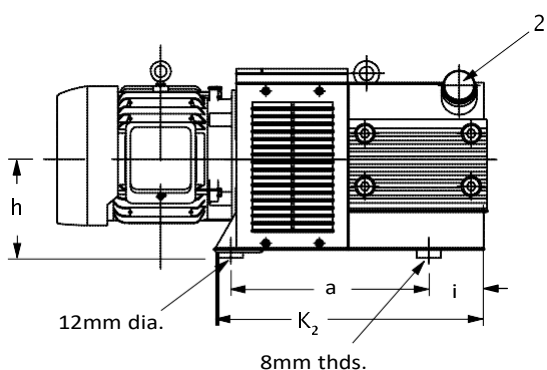
8-800-100-77-83
Звонок по России
бесплатный



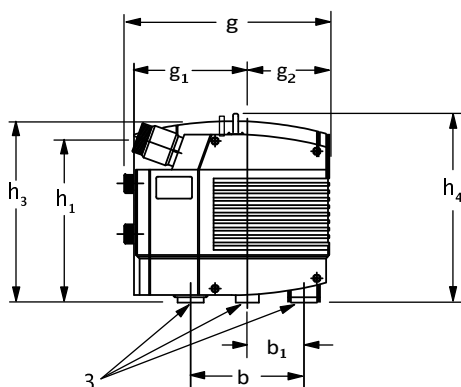
All data based on 60 Hz operation



Top View



Side View



End View (Opposite Motor End)

KVX3.60
KVX3.80
KVX3.100
KVX3.140

	KVX3.60	KVX3.80	KVX3.100	KVX3.140	
Flow (SCFM @ 0 in. Hg)	39	48	69	95	
Horsepower	3	5	5	7½	
Speed (RPM)	1740	1740	1740	1740	
Max. Cont. Vacuum (in. HgV)	27	27	27	22	
Weight (lbs.)—w/o motor	104	108	156	172	
Weight (lbs.)—w/ motor*	151	178	230	320	
Noise Level (Max. dBA)	73	75	77	79	
Inlet size (BSP, inches)	1	1	1½	1½	
Dimensional Data	(Inches)				
	a	12.83	12.83	15.67	15.67
	b	7.5	7.5	9.65	9.65
	b ₁	3.75	3.75	4.82	4.82
	e ₁	2.56	2.56	3.75	3.75
	g	13.9	13.9	18.5	18.5
	g ₁	7.68	7.68	8.78	8.78
	g ₂	5.55	5.55	9.06	9.06
	h	6.38	6.38	6.38	6.38
	h ₁	11.38	11.38	1.7	1.7
	h ₃	12.28	12.28	13.0	13.0
	h ₄	12.9	12.9	13.25	13.25
i	3.78	3.78	5.5	5.5	
k ₂	17.64	17.64	22.17	22.17	
k _L	29.4	29.4	33.5	36.8	
o	1.81	1.81	2.36	2.36	

* Overall specifications for single phase units may vary. Contact factory for information. Manufacturer reserves right to alter data without notice.

Available accessories:

External inlet filters; check valves; digital and analog vacuum gauges; motor starters; liquid traps/separators; sound enclosures. Inquire at 888-633-1083

- 1 - Inlet Port
- 2 - Vacuum Regulating Valve
- 3 - Vibration Isolator

САНКТ-ПЕТЕРБУРГ

188508, тер. Южная часть производственной зоны Горелово, ул. Понссе, д. 18
8(800)775-49-61
www.megatechnika.ru

МОСКВА

111395, ул. Юности, д.5, стр.4
8(800)100-78-28
www.megatechnika.com

УФА

450001, ул. Комсомольская, д. 2
8(347)246-63-16
ufa@megatechnika.ru

СЕРВИС

8-800-100-77-83
Звонок по России
бесплатный