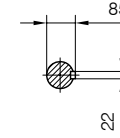
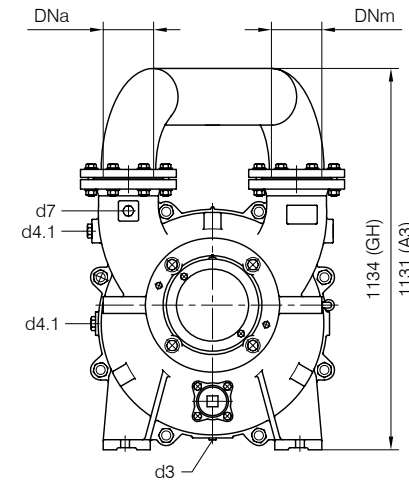
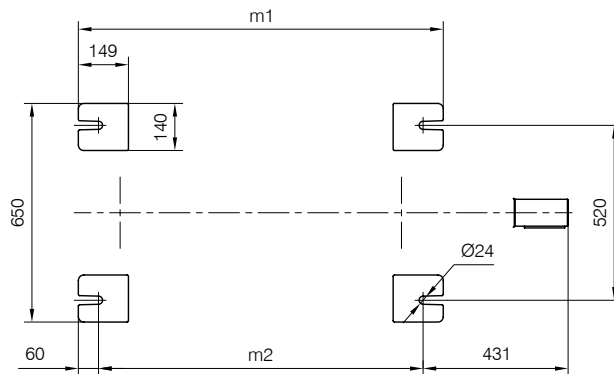
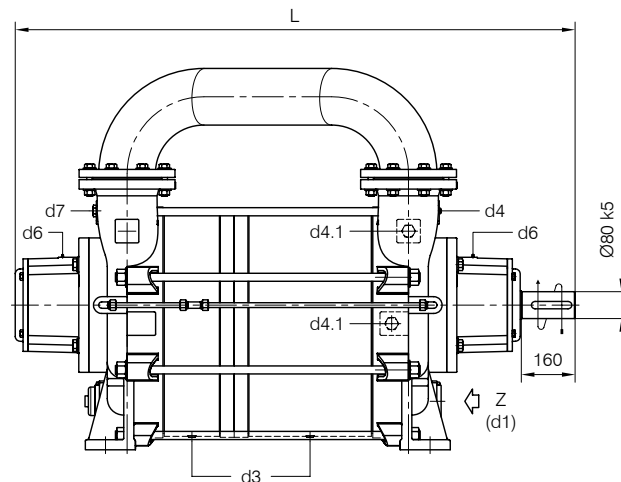




BARESHAF construction



Versione ad **ASSE NUDO**



Nota / Note :

- Lt Quantità di acqua all'asse dell'albero in litri
Water quantity at shaft axis in liters
- Mi Momento di Inerzia Max all'avviamento
Max Moment of Inertia at start-up
- (GH) Pompa in ghisa e sue derivate
Cast iron pumps and derivatives
- (A3) Pompa in acciaio inox e sue derivate
Stainless steel pumps and derivatives

POMPA TIPO Pump type	Dimensioni costruttive Construction dimensions						Peso Weight	Mi kgm ²	Lt
	DNa	DNm	L	f4	m1	m2			
TRHA 150-2000	150	150	1665	837	1085	965	1330	8.6	73
TRHA 150-2600	150	150	1815	987	1235	1115	1480	10.7	88
TRHA 150-3100	150	150	1915	1087	1335	1215	1630	12.8	99

Disegno schematico. Dimensioni in mm con tolleranze secondo EN 735-1995.
 Pesi indicativi in Kg, riferiti a pompe in ghisa escluso motore, non impegnativi.
 Schematic drawing. Dimensions in mm with tolerances according to EN 735-1995 standards.
 Weights in Kgs, referred to pumps in cast iron without motor, not binding.

Санкт-Петербург

192236, Санкт-Петербург, ул. Софийская, д.17, лит. А, оф. 311
 тел. 8(812)331-70-11, 8(800)775-49-61 (звонок бесплатный)
 web: megatechnika.ru; e-mail: info@megatechnika.ru

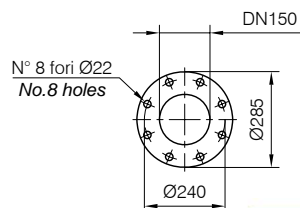
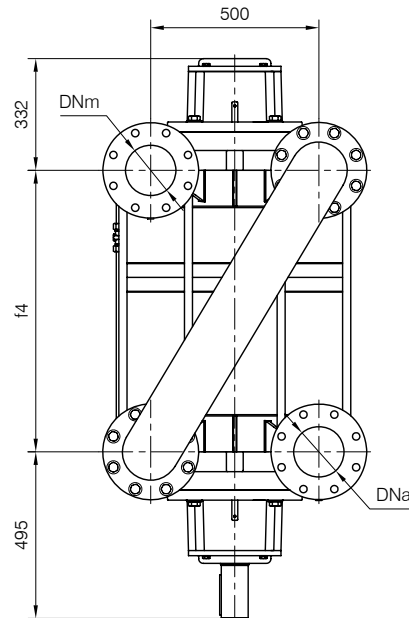
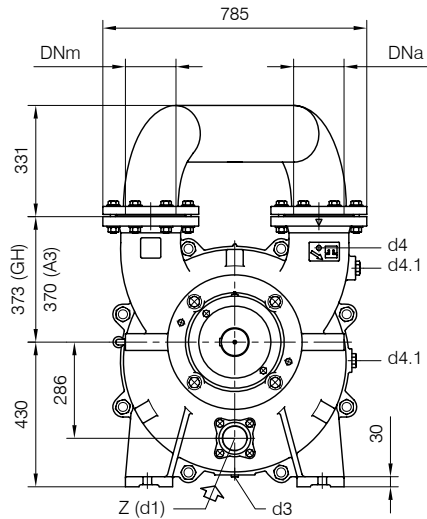
Москва

111395, г. Москва, ул. Юности, д.5, стр. 4., (гр. МосГУ)
 тел. 8(495)988-78-29; 8(800)100-78-28 (звонок бесплатный)
 web: megatechnika.Moscow; e-mail: info@promtehnika.ru

Единый телефон Сервисной службы 8(800)100-77-83



МЕГАТЕХНИКА
 ВАКУУМНОЕ И КОМПРЕССОРНОЕ
 ОБОРУДОВАНИЕ
 ПОСТАВКА, МОНТАЖ, СЕРВИС



FLANGE: Dimensioni secondo UNI 2223 PN10
 FLANGES: Dimensions according to UNI 2223 NP10