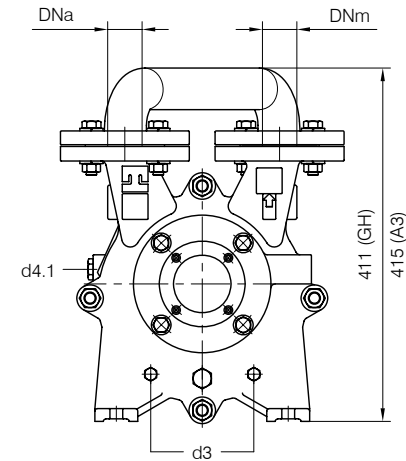
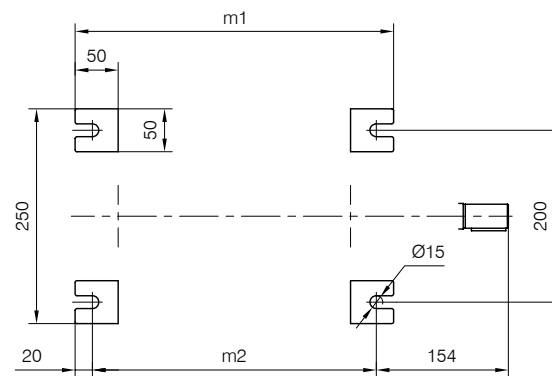
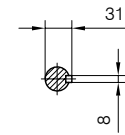
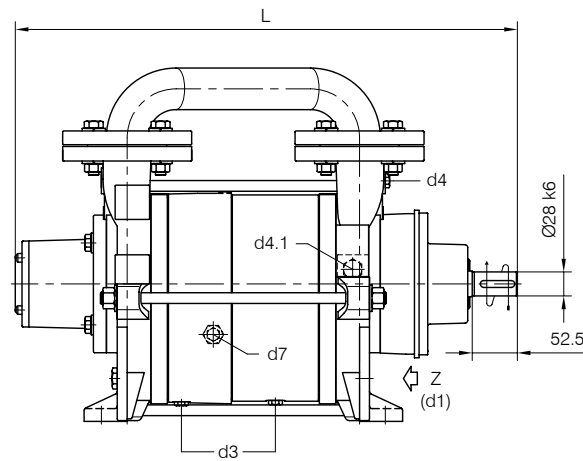




**BARESHAFT construction**



Versione ad **ASSE NUDO**

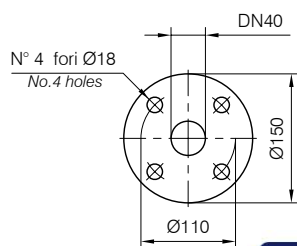
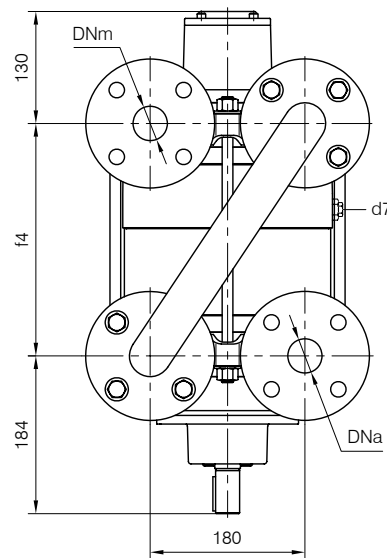
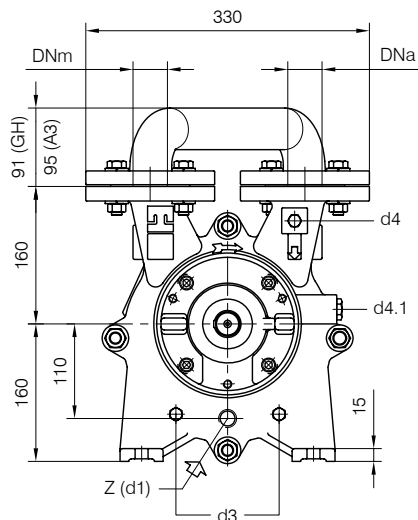


Nota / Note :

- Lt Quantità di acqua all'asse dell'albero in litri  
Water quantity at shaft axis in liters
- Mi Momento di Inerzia Max all'avviamento  
Max Moment of Inertia at start-up
- (GH) Pompa in ghisa e sue derivate  
Cast iron pumps and derivatives
- (A3) Pompa in acciaio inox e sue derivate  
Stainless steel pumps and derivatives

POMPA TIPO Pump type	Dimensioni costruttive Construction dimensions						Peso Weight	Mi kgm <sup>2</sup>	Lt
	DNa	DNm	L	f4	m1	m2			
TRHC 40-140	40	40	584	270	370	330	79	0.06	5
TRHC 40-190	40	40	654	340	440	400	87	0.09	7

Disegno schematico. Dimensioni in mm con tolleranze secondo EN 735-1995.  
 Pesì indicativi in Kg, riferiti a pompe in ghisa escluso motore, non impegnativi.  
 Schematic drawing. Dimensions in mm with tolerances according to EN 735-1995 standards.  
 Weights in Kgs, referred to pumps in cast iron without motor, not binding.



FLANGE: Dimensioni secondo UNI 2223 PN10  
 FLANGES: Dimensions according to UNI 2223 NP10



**ВАКУУМНОЕ И КОМПРЕССОРНОЕ  
 ОБОРУДОВАНИЕ  
 ПОСТАВКА, МОНТАЖ, СЕРВИС**

**Санкт-Петербург**

192236, Санкт-Петербург, ул. Софийская, д.17, лит. А, оф. 311  
 тел. 8(812)331-70-11, 8(800)775-49-61 (звонок бесплатный)  
 web: megatechnika.ru, e-mail: info@megatechnika.ru

**Москва**

111395, г. Москва, ул. Юности, д.5, стр. 4., (тер. МосГУ)  
 тел. 8(495)986-78-29; 8(800)100-78-29 (звонок бесплатный)  
 web: megatechnika.Moscow, e-mail: info@promtechnik.ru

Единый телефон Сервисной службы 8(800)100-77-83