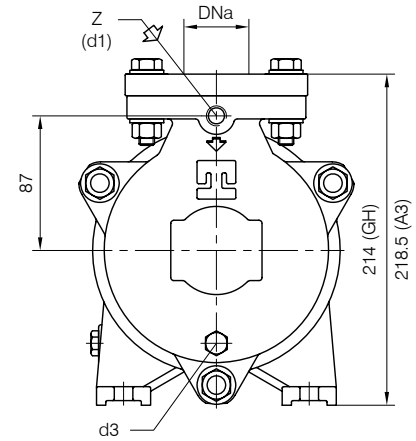
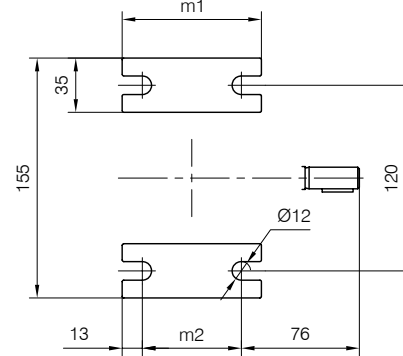
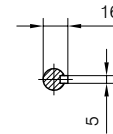
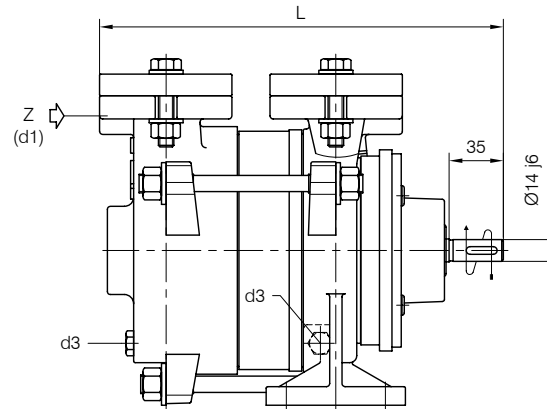




BARESHAFT construction



Versione ad ASSE NUDO



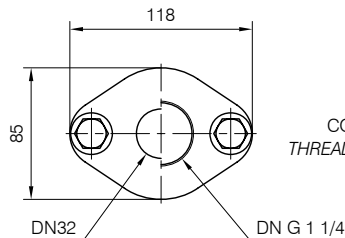
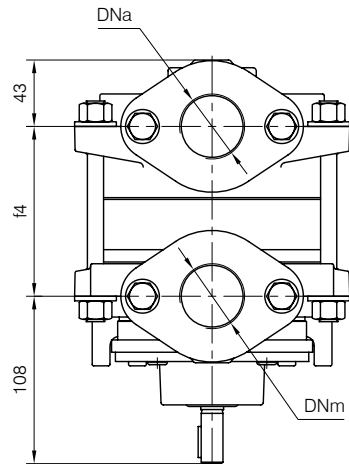
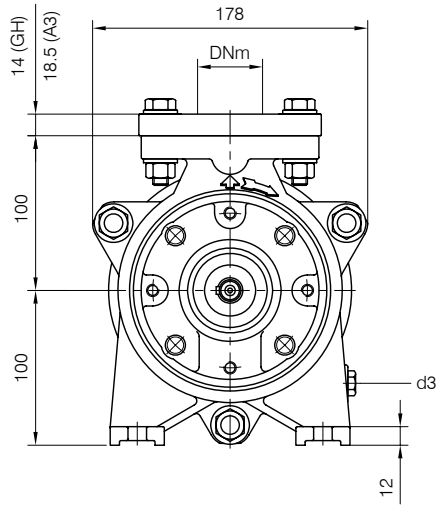
- d1 Connessione filettata G 1/4 - per ingresso alimentazione
 G 1/4 threaded connection - for liquid supply inlet
- d3 Attacco tappato G 1/4 - per scarico corpo pompa
 G 1/4 plugged connection - for pump casing drain

Nota / Note :

- Lt Quantità di acqua all'asse dell'albero in litri
 Water quantity at shaft axis in liters
- Mi Momento di Inerzia Max all'avviamento
 Max Moment of Inertia at start-up
- (GH) Pompa in ghisa e sue derivate
 Cast iron pumps and derivatives
- (A3) Pompa in acciaio inox e sue derivate
 Stainless steel pumps and derivatives

POMPA TIPO Pump type	Dimensioni costruttive Construction dimensions						Peso Weight	Mi kgm ²	Lt
	DNa	DNm	L	f4	m1	m2			
TRHE 32-4	G 1 1/4 (GH)	G 1 1/4 (GH)	261	110	90	64	14	0.0032	1
	32 (A3)	32 (A3)							

Disegno schematico. Dimensioni in mm con tolleranze secondo EN 735-1995.
 Pesì indicativi in Kg, riferiti a pompe in ghisa escluso motore, non impegnativi.
 Schematic drawing. Dimensions in mm with tolerances according to EN 735-1995 standards.
 Weights in Kgs, referred to pumps in cast iron without motor, not binding.



CONTROFLANGE FILETTATE: Dimensioni secondo UNI 2224 PN6
 THREADED COMPANION FLANGES: Dimensions according to UNI 2224 PN6



**ВАКУУМНОЕ И КОМПРЕССОРНОЕ
 ОБОРУДОВАНИЕ
 ПОСТАВКА, МОНТАЖ, СЕРВИС**

Санкт-Петербург

192236, Санкт-Петербург, ул. Софийская, д.17, лит. А, оф. 311
 тел. 8(812)331-70-11, 8(800)775-49-61 (звонок бесплатный)
 web: megatehnika.ru; e-mail: info@megatehnika.ru

Москва

111395, г. Москва, ул. Юности, д.5, стр. 4., (тер. МосГУ)
 тел. 8(495)988-78-29; 8(800)100-78-28 (звонок бесплатный)
 web: megatehnika.Moscow; e-mail: info@promtehnika.ru

Единый телефон Сервисной службы 8(800)100-77-83