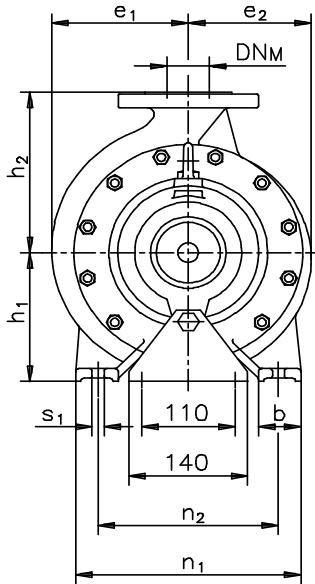
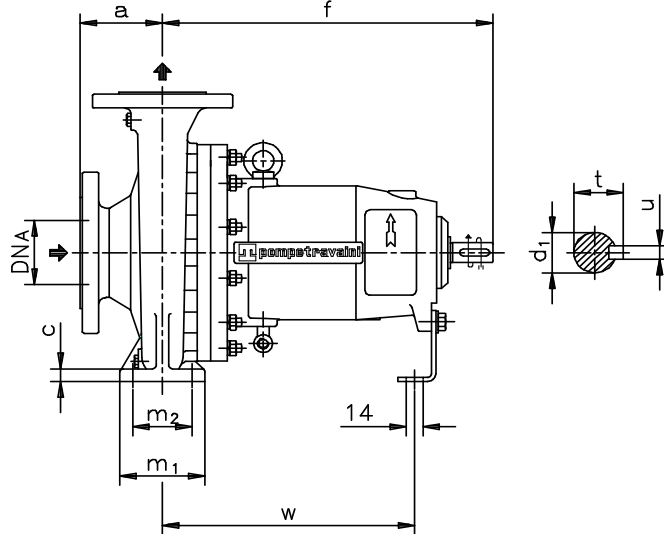


Versione ad **ASSE NUDO**  
 Unificate secondo ISO 2858



**BARESHAFТ** construction  
 According to ISO 2858 standards



Pompa tipo Pump type	Versione ad <b>ASSE NUDO</b>																				Peso Weight
	<b>BARESHAFТ</b> construction																				
	DN <sub>A</sub>	DN <sub>M</sub>	a	f	h <sub>1</sub>	h <sub>2</sub>	b	c	m <sub>1</sub>	m <sub>2</sub>	n <sub>1</sub>	n <sub>2</sub>	s <sub>1</sub>	w	d <sub>1</sub>	l	t	u	e <sub>1</sub>	e <sub>2</sub>	
<b>25-125</b>	40	25	80	385	112	140	50	15	100	70	190	140	14	285	24	50	27	8	95	90	58
<b>25-160</b>	40	25	80	385	132	160	50	16	100	70	240	190	14	285	24	50	27	8	110	108	64
<b>25-200</b>	40	25	80	385	160	180	50	16	100	70	240	190	14	285	24	50	27	8	133	128	68
<b>32-125</b>	50	32	80	385	112	140	50	15	100	70	190	140	14	285	24	50	27	8	105	91	59
<b>32-160</b>	50	32	80	385	132	160	50	16	100	70	240	190	14	285	24	50	27	8	125	110	66
<b>32-200</b>	50	32	80	385	160	180	50	16	100	70	240	190	14	285	24	50	27	8	140	130	74
<b>32-250</b>	50	32	100	500	180	225	65	18	125	95	320	250	14	370	32	80	35	10	166	162	116
<b>40-125</b>	65	40	80	385	112	140	50	15	100	70	210	160	14	285	24	50	27	8	115	100	61
<b>40-160</b>	65	40	80	385	132	160	50	16	100	70	240	190	14	285	24	50	27	8	130	115	68
<b>40-200</b>	65	40	100	385	160	180	50	16	100	70	265	212	14	285	24	50	27	8	146	135	77
<b>40-250</b>	65	40	100	500	180	225	65	18	125	95	320	250	14	370	32	80	35	10	176	163	117
<b>40-315</b>	65	40	125	500	200	250	65	18	125	95	345	280	14	370	32	80	35	10	205	200	116
<b>50-125</b>	80	50	100	385	132	160	50	16	100	70	240	190	14	285	24	50	27	8	130	110	64
<b>50-160</b>	80	50	100	385	160	180	50	16	100	70	265	212	14	285	24	50	27	8	147	125	72
<b>50-200</b>	80	50	100	385	160	200	50	16	100	70	265	212	14	285	24	50	27	8	161	146	81
<b>50-250</b>	80	50	125	500	180	225	65	18	125	95	320	250	14	370	32	80	35	10	183	169	120
<b>50-315</b>	80	50	125	500	225	280	65	18	125	95	345	280	14	370	32	80	35	10	210	197	117
<b>65-125</b>	100	65	100	385	160	180	65	16	125	95	280	212	14	285	24	50	27	8	145	117	95
<b>65-160</b>	100	65	100	500	160	200	65	16	125	95	280	212	14	370	32	80	35	10	160	130	108
<b>65-200</b>	100	65	100	500	180	225	65	18	125	95	320	250	14	370	32	80	35	10	174	152	115
<b>65-250</b>	100	65	125	500	200	250	80	20	160	120	360	280	18	370	32	80	35	10	195	175	120
<b>80-160</b>	125	80	125	500	180	225	65	16	125	95	320	250	14	370	32	80	35	10	186	142	113
<b>80-200</b>	125	80	125	500	180	250	65	18	125	95	345	280	14	370	32	80	35	10	188	158	128
<b>80-250</b>	125	80	125	500	225	280	80	20	160	120	400	315	18	370	32	80	35	10	225	185	143
<b>100-200</b>	125	100	125	500	200	280	80	20	160	120	360	280	18	370	32	80	35	10	211	170	135

Disegno schematico. Dimensioni in mm con tolleranze secondo EN 735-1995.  
 Pesì indicativi in Kg, riferiti a pompe in esecuzione "F" ghisa escluso motore, non impegnativi.  
 Schematic drawing. Dimensions in mm with tolerances to EN 735-1995 standards.  
 Weights in Kgs, referred to pump in cast iron "F" construction without motor, not certified.

RIF. - Ref.:	A.Pa./C.T.	SOSTITUISCE - Replaces:	3500.100.201.02.A
DATA - Date:	Gennaio 2018 – January 2018	N°.:	3500.100.201.03.A