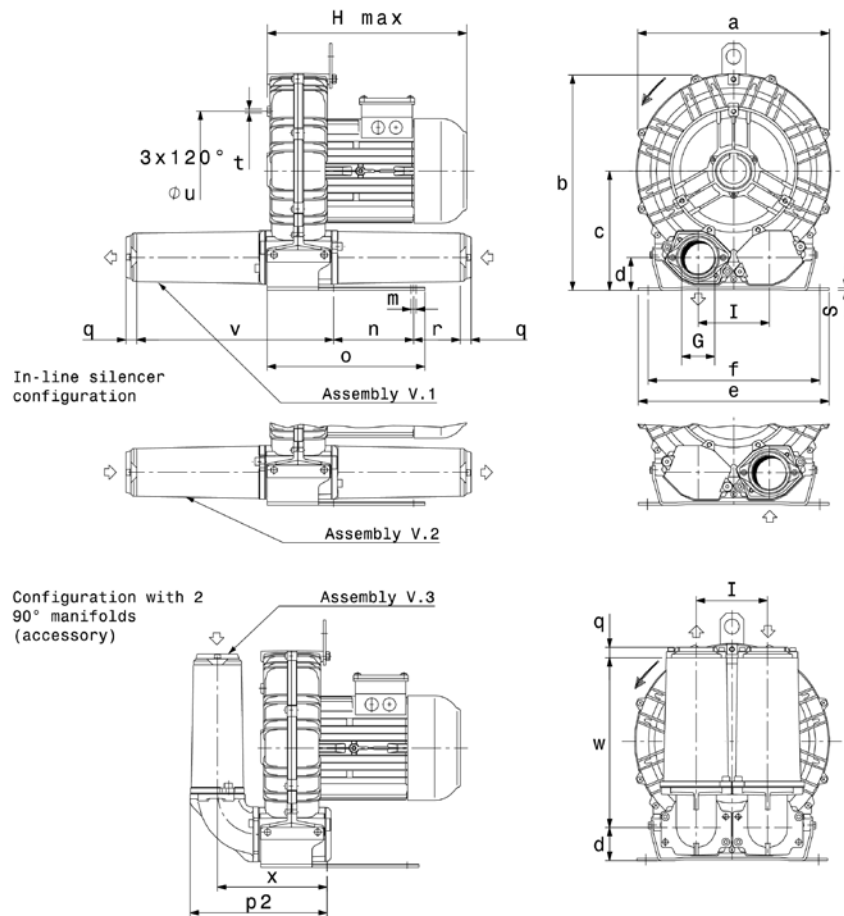


DIMENSIONS (K03-MS/K04-MS/K05-MS/K06-MS)

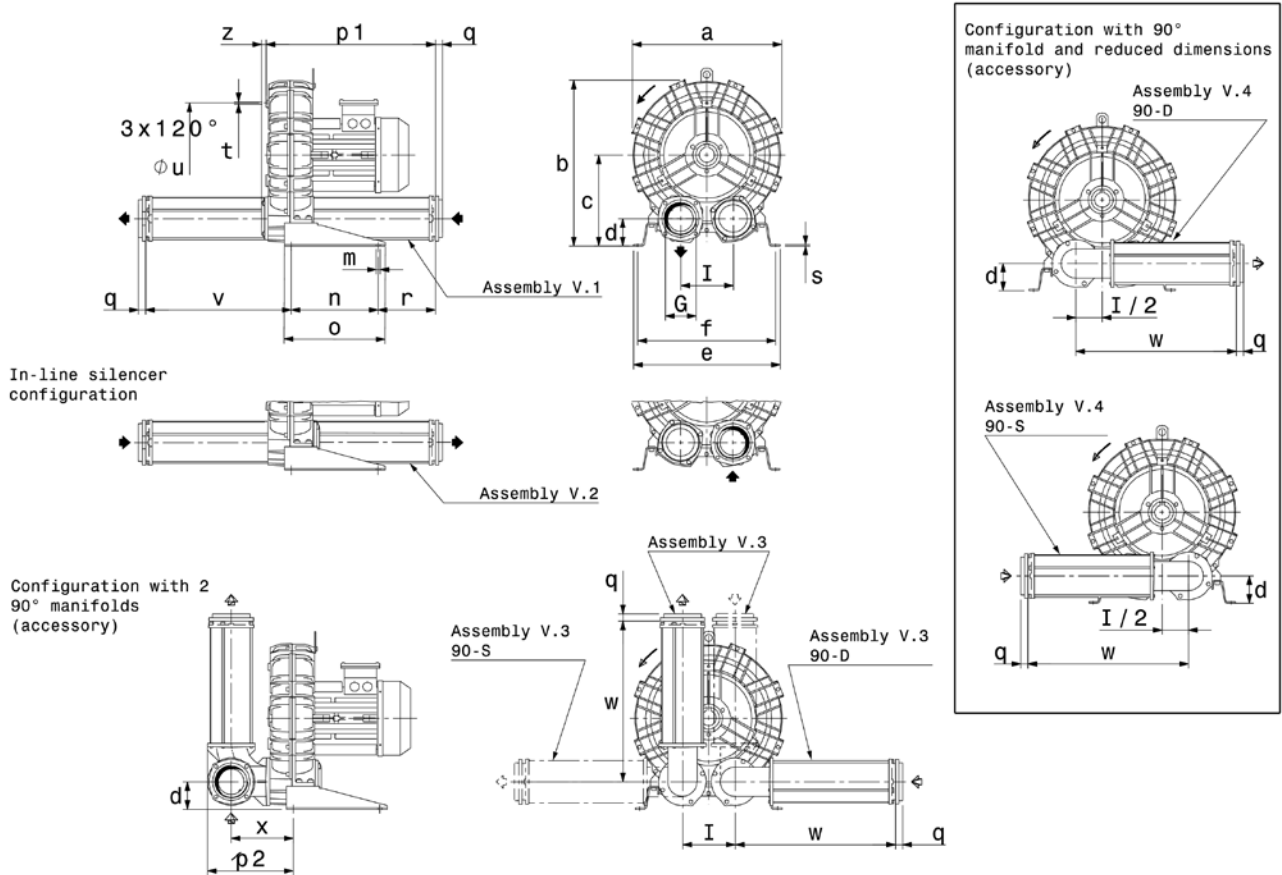


Dimensions in mm - FOR REFERENCE ONLY

Model	a	b	c	d	e	f	G	H	i	m
K03-MS	241	268	147	43	230	205	G 1" ¼	298	86	10
K04-MS	285	315	172	49	255	225	G 1" ½	311	102	12
K05-MS	327	365	200	54	320	260	G 2"	380	120	15
K06-MS	376	393	205	54	325	290	G 2"	432	125	15

Model	n	o	p1	q	r	s	t	u	z
K03-MS	83	142	205	18	75	4	M6	140	12
K04-MS	95	171	222	18	70	4	M6	175	18
K05-MS	115	265	320	18	98	4	M8	200	19
K06-MS	140	272	334	18	85	4	M8	240	19

DIMENSIONS (K07-MS/K08-MS/K09-MS/K10-MS/K11-MS/K12-MS/K75-MS)



Dimensions in mm - FOR REFERENCE ONLY

Model	a	b	c	d	e	f	G	H	i	m
K07-MS	424	481	269	82	468	438	G 3"	535	155	13
K08-MS	457	498	269	82	478	448	G 3"	535	155	13
K09-MS	492	561	315	96	508	478	G 4"	672	182	13
K10-MS	516	573	315	96	508	478	G 4"	672	182	13
K11-MS	542	603	332	91	540	508	G 4"	699	200	13
K12-MS	548	605	332	91	540	508	G 4"	702	200	13
K75-MS	424	481	269	82	468	438	G 3"	535	155	13

Model	n	o	p1	q	r	s	t	u	z
K07-MS	300	350	512	25	137	5	M8	295	16
K08-MS	300	350	512	25	137	5	M8	310	16
K09-MS	300	350	586	25	199	5	M8	360	16
K10-MS	300	350	586	25	199	5	M8	360	16
K11-MS	300	350	596	25	204	5	M8	390	16
K12-MS	300	350	599	25	204	5	M8	390	13
K75-MS	300	350	512	25	137	5	M8	295	16