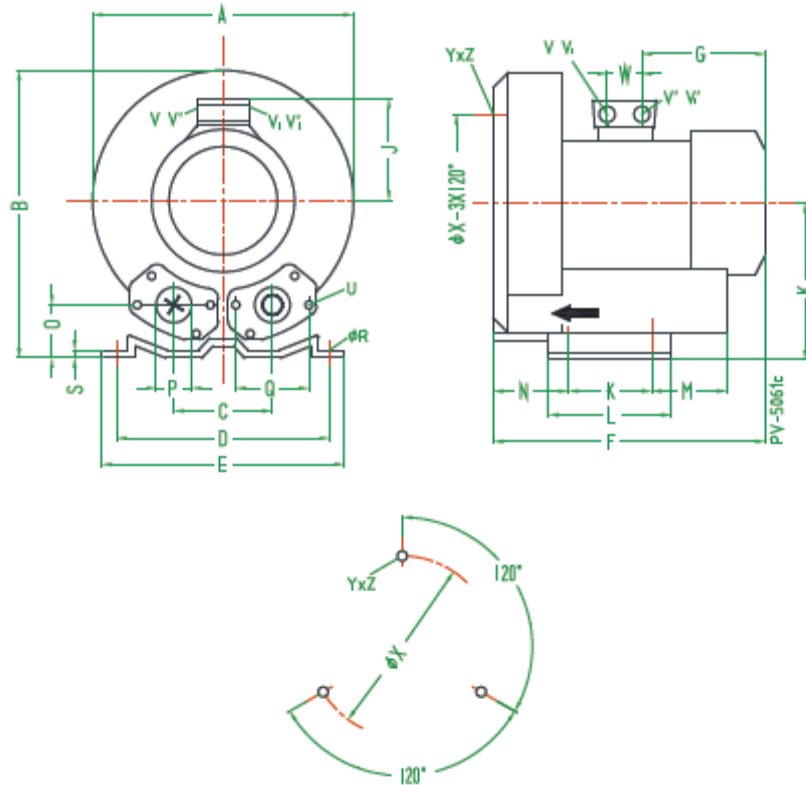


## Размеры воздуховодов МТ 05-М1С – МТ 07-М1С



Type	Phases кол-во фаз	A	B	C	D	E	F	G	H	J	K	L	M	N	O	ØP	Q	ØR	S	U	X-Holes		
																					ØX	W	
05-М1С-2,2	3~	334	337	120	260	295	346	191	175	128	115	155	96	87	48	G 2"	83	14	4	M8x17	0°/120°/240°	200	29
06-М1С-3,0	3~	382	384	125	290	325	409	188	197	135	140	180	84	109	54	G 2"	83	15	4,5	M8x17	0°/120°/240°	240	42
06-М1С-4,0	3~	382	384	125	290	325	432	209	197	148	140	180	84	109	54	G 2"	83	15	4,5	M8x17	0°/120°/240°	240	42
07-М1С-3,0	3~	382	384	125	290	325	419	189	197	135	140	180	84	109	54	G 2"	83	15	4,5	M8x17	0°/120°/240°	240	42
07-М1С-4,0	3~	382	384	125	290	325	432	209	197	148	140	180	84	109	54	G 2"	83	15	4,5	M8x17	0°/120°/240°	240	42