



**FPZ, Inc**  
 150 N. Progress Drive  
 Saukville, WI 53080 - U.S.A.  
 Tel. (262) 268-0180  
 Fax (262) 268-0415  
 E-mail usa@fpz.com

REGENERATIVE BLOWERS - PRESSURE  
**SCL K07 / K08 / K09 / K10 / K11**

**TS SERIES**  
 SN 1822-11 1/2

**TECHNICAL CHARACTERISTICS**

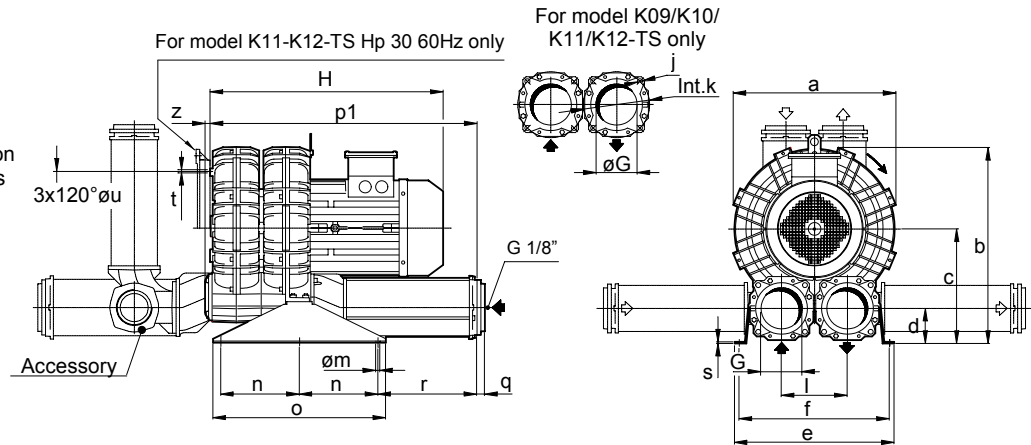
- Aluminium alloy construction
- Smooth operation
- High efficiency impeller
- Maintenance free
- Mountable in any position
- Recognized TEFC - cURus motor
- G1/8" female thread on both suction and discharge silencer port flanges

**OPTIONS**

- Special voltages (IEC 38)
- Surface treatments

**ACCESSORIES**

- Inlet and/or inline filters
- Additional inlet/outlet silencers
- Safety valves
- Flow converting device
- Optional connectors



Dimensions in inches.  
 Dimension for reference only.

Model	a	b	c	d	e	f	G	l	j	k	m	n	o	p1	q	r	s	t	u	z
K07-TS	16.69	20.91	12.56	3.86	18.43	17.24	4"NPT	7.17	-	-	0.51	9.84	21.65	31.57	0.98	11.77	0.20	M8	11.61	0.63
K08-TS	18.03	21.57	12.56	3.86	18.82	17.64	4"NPT	7.17	-	-	0.51	9.84	21.65	31.57	0.98	11.77	0.20	M8	12.20	0.63
K09-TS	19.37	24.02	14.37	4.41	20.00	18.82	5.12	8.27	M16	8.27	0.51	9.84	21.65	33.46	-	12.40	0.20	M8	14.17	0.63
K10-TS	20.31	24.53	14.37	4.41	20.00	18.82	5.12	8.27	M16	8.27	0.51	9.84	21.65	33.46	-	12.40	0.20	M8	14.17	0.63
K11-TS	21.26	25.59	14.96	4.17	21.26	20.08	5.12	8.98	M16	8.27	0.51	9.84	21.65	34.25	-	12.60	0.20	M8	15.35	0.63
K12-TS	21.57	25.66	14.96	4.17	21.26	20.08	5.12	8.98	M16	8.27	0.51	9.84	21.65	34.37	-	12.60	0.20	M8	15.35	0.63

Model	Maximum flow Scfm		Installed power Hp		Maximum differential pressure Δp (In WG)		Noise level Lp dB (A) <sup>(1)</sup>		Overall dimensions H Inches	Weight Lbs
	60 Hz 3500 rpm	50 Hz 2900 rpm	60 Hz 3500 rpm	50 Hz 2900 rpm	60 Hz 3500 rpm	50 Hz 2900 rpm	60 Hz 3500 rpm	50 Hz 2900 rpm		
K07-TS	588	487	7 1/2	7 1/2	36	48	83.9	81.9	23.76	197.31
			10	10	60	71	84.2	82.2	23.76	206.13
			15	15	110	121	84.8	82.8	24.55	223.77
K08-TS	715	592	7 1/2	7 1/2	18	30	80.8	78.8	23.76	205.47
			10	10	37	50	80.9	78.9	23.76	214.29
			15	15	75	87	83.3	81.3	24.55	231.92
K09-TS	941	780	15	15	52	62	83.0	81.0	25.81	270.06
			20	20	80	90	85.0	83.0	29.92	350.53
			25	25	110	120	87.0	85.0	30.79	383.60
K10-TS	1093	906	15	15	41	51	87.8	85.8	25.81	274.47
			20	20	65	75	88.1	86.1	29.92	354.94
			25	25	80	95	88.4	86.4	30.79	388.01
K11-TS	1254	1039	25	25	50	69	89.4	87.4	31.38	429.02
			30 <sup>(2)</sup>	30 <sup>(2)</sup>	70	90	90.0	88.0	31.38	434.53
K12-TS	1410	1168	30 <sup>(2)</sup>	30 <sup>(2)</sup>	45	80	90.6	88.6	31.50	436.75

(1) Noise measured at 1 m distance with inlet and outlet ports piped, in accordance to ISO 3744.  
 (2) K11-K12-TS Hp 30 vertical assembly only.

- For proper use, the blower should be equipped with inlet filter and safety valve; other accessories available on request.
- Ambient temperature from +5° to +104°F.
- Specifications subject to change without notice.